



FACT SHEET

**Comacchio
GEO 405**

Percussion & Rotary Core Combination Drill Rig

The GeoGroup has branches located in Gauteng, Eastern Cape, KwaZulu-Natal, Western Cape, Uganda, and Botswana.

www.geogroup.co.za





GEOMECH AFRICA
Proudly **GEO GROUP**

Comacchio GEO 405

The Comacchio GEO 405 drill rig, is a hydraulic crawler-mounted combination drill rig for exploration and geotechnical drilling. The combination drill head allows for rotary core, percussion and RC percussion drilling and is fitted with an automatic SPT hammer.

Capabilities

ROTARY CORE DRILLING

DRILLING SIZES	BQ	NQ	HQ	PQ
MAX DEPTH RANGE	750 m	607 m	400 m	300 m

DTH PERCUSSION DRILLING

DRILLING SIZES	8,5"	6"	5"
MAX DEPTH RANGE	30 m - 50 m	150 m - 180 m	220 m - 250 m



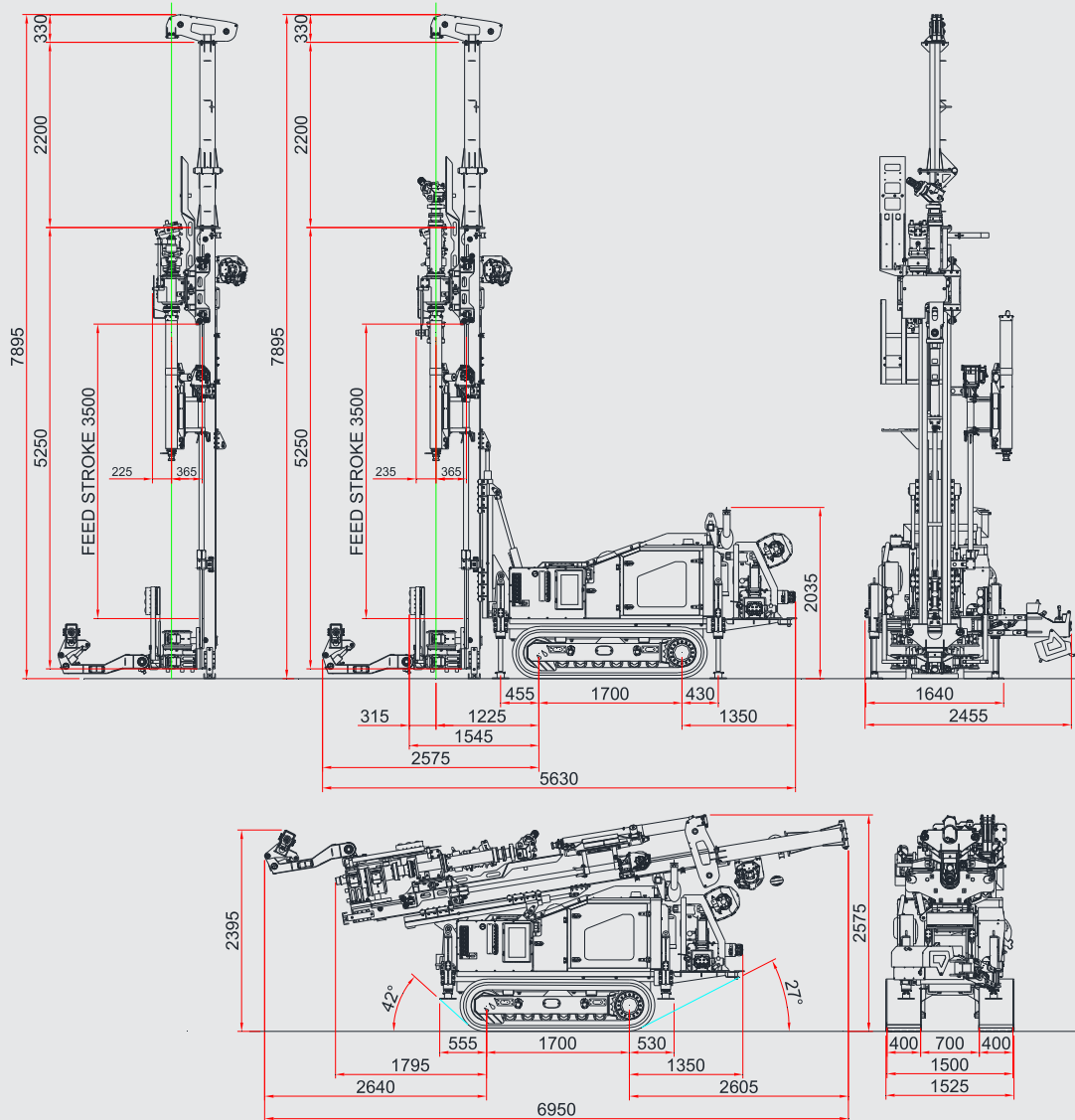
Rig Controls



The GEO 405 is fitted with an automatic SPT hammer and can drill percussion & reverse circulation percussion.



COMACCHIO GEO 405 PERCUSSION & ROTARY CORE COMBINATION DRILL RIG



Technical Specifications

ENGINE POWER	55-74 kW (74-99 HP)
MAX. TRAMMING SPEED	2 km/h
MAX. GROUND PRESSURE	1,30 kg/cm ²
MAX WIDTH	1,500 mm
WEIGHT	7,900 kg / 7,9 ton
MAST FEED	3,000 mm
FEED FORCE	4,500 kg / 4,5 ton
RETRACT FORCE	6,500 kg / 6,5 ton
ROTARY TORQUE	243-1,550 daNm
ROTARY SPEED RANGE	110-1,000 rpm
CLAMP RANGE	45 mm-323 mm

GeoGroup Companies



The GeoGroup CONTACT US

The GeoGroup comprises of a group of companies, each a leader in its own field, that provide a range of services to the Geotechnical, Civil, Exploration, and Mining industries.



Services

Geotechnical investigations
CPTu & In-situ testing
Exploration drilling
Sonic drilling
Water boreholes
Geotechnical monitoring and testing

Products

Geotechnical Instrumentation

Enquiries

+27 (0)11 966 7760
info@geogroup.co.za

GeoGroup Head Office
28 Central Road, Sunrella,
Lanseria, Gauteng,
South Africa

info@geogroup.co.za
+27 (0)11 966 7760

Eastern Cape Branch
East London
Branch Manager:
Barry Kruger

barryk@geogroup.co.za
+27 (0)83 616 0399

Western Cape Branch
19A Zonnekus Road,
Morning Star, Cape Town,
Western Cape, South Africa

Branch Manager:
Brett Mannix

brettm@geogroup.co.za
+27 (0)79 519 2629

KwaZulu-Natal Branch
Farm 22 D354, Camperdown,
KwaZulu-Natal, South Africa

Branch Manager:
Dries de Beer

driesd@geogroup.co.za
+27 (0)82 578 0023

Uganda Branch
Plot no. 4, Lugogo Lane,
Naguru, Kampala, Uganda
Branch Manager:
Geoffrey Okello

geoffreyo@geogroup.co.za
+256 776 959 454

Botswana Branch
Plot 151, Kopano Ward,
Selibe Phikwe, Botswana

info@geogroup.co.za
+27 (0)11 966 7760

Say "Hi" on Whatsapp



GEO GROUP



+27 (0)66 262 2929



/geogroup.co.za



/geogroup

www.geogroup.co.za