



FACT SHEET

**Sonic & Rotary Core
Combination Drill Rig**

Secon Compact Sonic Crawler 190kN

The GeoGroup has branches located in Gauteng, Eastern Cape, KwaZulu-Natal, Western Cape, Uganda, Botswana, and Sweden.

www.geogroup.co.za





GEOMECH AFRICA
Proudly **GEO GROUP**

The Secon Compact Sonic Crawler is a sonic and rotary core combination drill rig. Designed with mobility and safety in mind, this crawler-mounted rig can easily reach any destination. Equipped with a dual head mast, the operator can seamlessly transition between both Sonic and Rotary Core drilling methods.

The Secon is fitted with a wireless remote control system connected to two remotes which the operators can use to drill and mobilise the rig remotely.

Technical Specifications



Tramming and Drilling Remote



Rod Handler

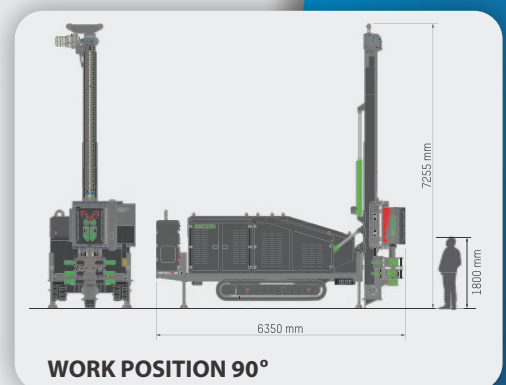
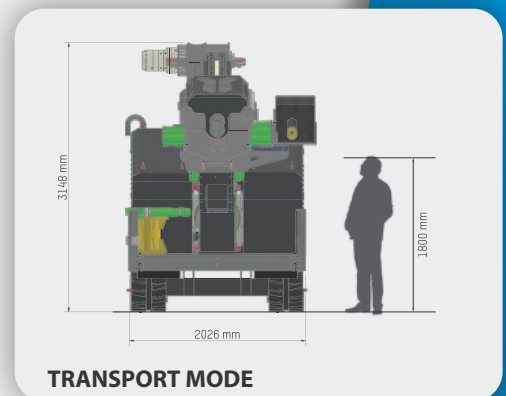
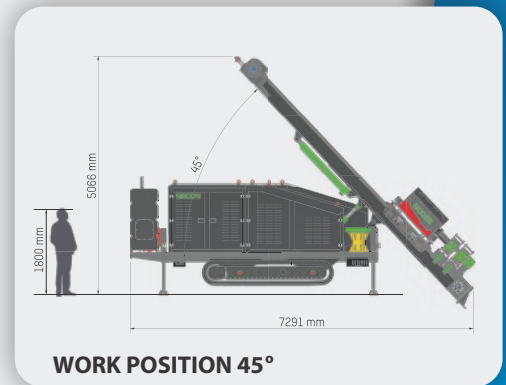
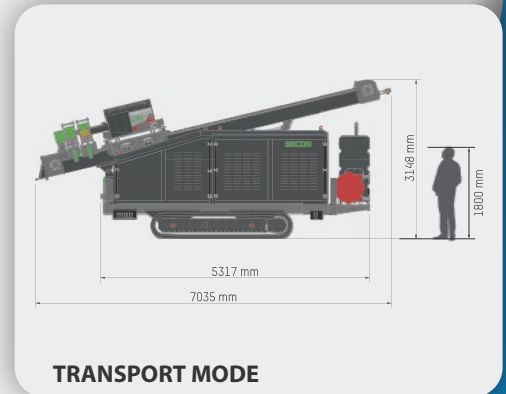


Drill Head

SECON COMPACT SONIC CRAWLER 190kN SONIC & ROTARY CORE COMBINATION DRILL RIG

Technical Specifications

SONIC HEAD	Secon 190kN, 150 Hz
DRILL DEPTH	200m
ROD SIZE	31/2"-6"
CASING SIZES	6"-11"
PRIME MOVER	Deutz Water Cooled Diesel Engine
FUEL TANK	200 Liter Stainless Steel
HYDRAULIC TANK	450 Liter Stainless Steel
WATER TANK	500 Liter Stainless Steel
LOAD SENSE PROPORTIONAL HYDRAULIC SYSTEM	(Sauer Danfoss)
3 STAGE HYDRAULIC PUMP	130cc + 190cc + 17cc
REMOTE WIRELESS PENDANT	For Trammig & Drilling
HIGH PRESSURE FOAM/WASHER PUMP	19 Liter Per Minute @ 210 Bar
Bean Mud Pump FMC L1122	
Bredel SPX40 Mud Pump	
12T, 2.4M, RUBBER TRACKS	(VTS)
TRAMMING SPEED	0-4km Per Hour
5.5m mast , 8.5t capacity	
Stroke 4500mm For 3000mm Rods	
MAST DUMP	1000mm
PULL UP AND PULL DOWN	100kN / 60kN
PULL UP AND PULL DOWN SPEED	30-40 m Per Min
Adjustable Clamping Force of 200kN	
BREAK OUT TORQUE	60 kNm
HYDRAULIC BREAKOUT CLAMP	Triple
DRILL RIG WEIGHT	12 Tons
Overall Dimensions LxWxH, 6100mm x 2000mm x 3100mm.	
SAFETY SYSTEM	Fitted with the SaferG sensors around the drill area which slows down the rotation and stops drilling completely when it detects nearby movement.



GeoGroup Companies



The GeoGroup CONTACT US

The GeoGroup comprises of a group of companies, each a leader in its own field, that provide a range of services to the Geotechnical, Civil, Exploration, and Mining industries.



Services

Geotechnical investigations
CPTu & in-situ testing
Exploration drilling
Sonic drilling
Water boreholes
Geotechnical monitoring and testing
Metal welding and fabrication

Products

Geotechnical instrumentation
Lighting towers

Enquiries

+27 (0)11 966 7760
info@geogroup.co.za

GeoGroup Head Office
28 Central Road, Sunrella,
Lanseria, Gauteng,
South Africa

info@geogroup.co.za
+27 (0)11 966 7760

Eastern Cape Branch
East London
Branch Manager:
Barry Kruger

barryk@geogroup.co.za
+27 (0)83 616 0399

Western Cape Branch
19A Zonnekus Road,
Morning Star, Cape Town,
Western Cape, South Africa
Branch Manager:
Brett Mannix

brettm@geogroup.co.za
+27 (0)79 519 2629

KwaZulu-Natal Branch
Farm 22 D354, Camperdown,
KwaZulu-Natal, South Africa
Branch Manager:
Dries de Beer

driesd@geogroup.co.za
+27 (0)82 578 0023

Uganda Branch
Plot no. 4, Lugogo Lane,
Naguru, Kampala, Uganda
Branch Manager:
Geoffrey Okello

geoffreyo@geogroup.co.za
+256 776 959 454

Botswana Branch
Plot 151, Kopano Ward,
Selibe Phikwe, Botswana
Branch Manager:
Khumo Dikupa

khumod@geogroup.co.za
+267 71 304 612

Say "Hi" on Whatsapp



GEO GROUP



+27 (0)66 262 2929



/geogroup.co.za



/geogroup

www.geogroup.co.za